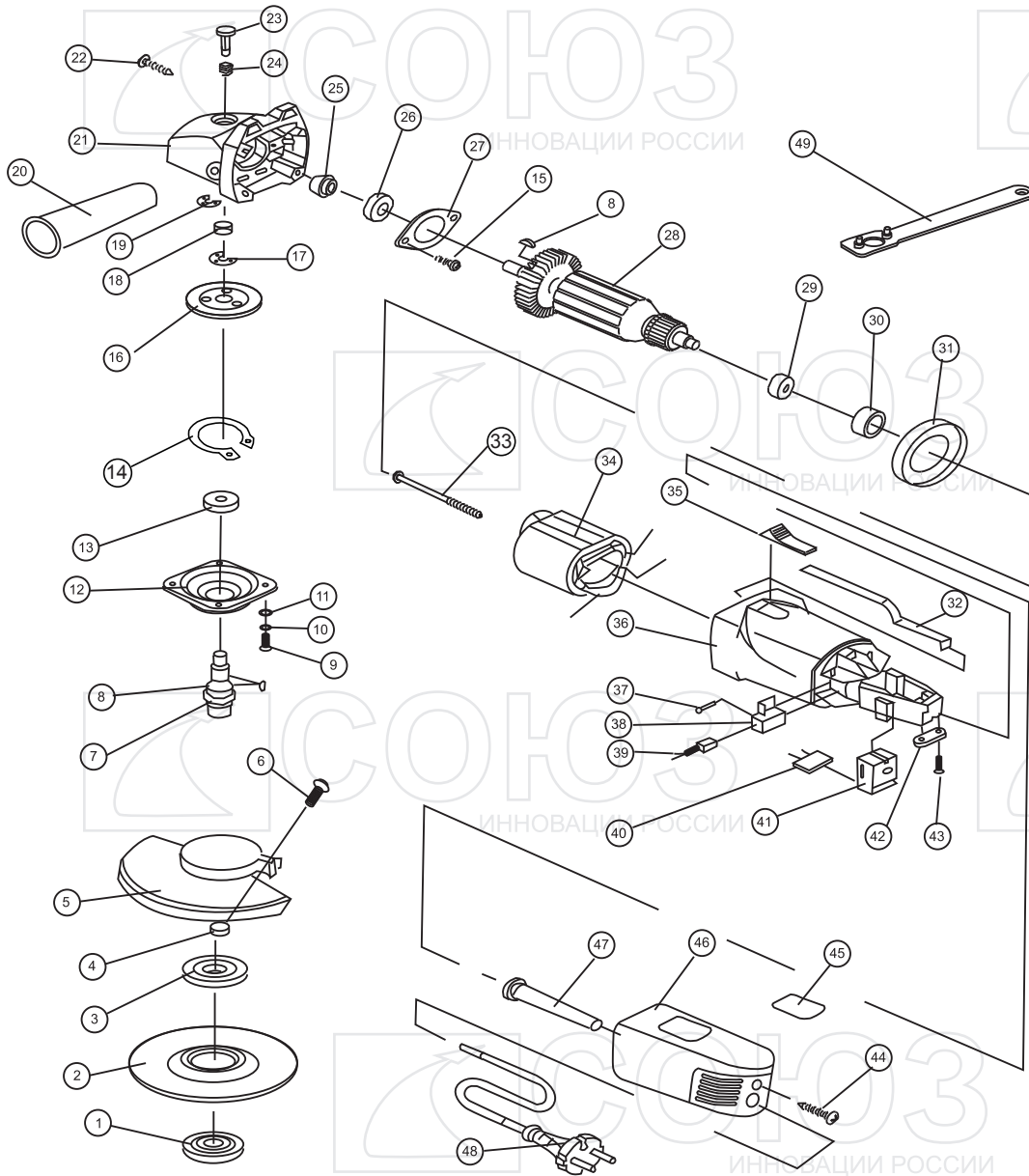


# УШС-90111



NO.	DESCRIPTION	NO.	DESCRIPTION
1	OUT FLANGE	26	BEARING 629Z
2	GRINDING WHEEL	27	BEARING COVER
3	INNER FLANGE	28	ROTOR
4	NUT	29	BEARING 607Z
5	WHEEL GUARD	30	BEARING BUSH
6	SCREW	31	WIND GUARD
7	SPINDLE	32	SWITCH POLE
8	KEY	33	SCREW
9	SCREW	34	STATOR
10	SPRING WASHER	35	SWITCH BUTTON
11	PLAIN WASHER	36	HOUSING
12	FRONT COVER	37	SCREW
13	BEARING 6000Z	38	CARBON BRUSH HOLDER
14	CIRCLIP	39	CARBON BRUSH
15	SCREW	40	CAPACITOR
16	GEAR	41	SWITCH
17	CIRCLIP	42	CABLE CLAMP
18	NEEDLE BEARING HK0810	43	SCREW
19	CIRCLIP	44	SCREW
20	HANDLE	45	LABEL
21	GEAR BOX	46	REAR COVER
22	SCREW	47	CABLE SLEEVE
23	LOCK PIN	48	CABLE
24	SPRING	49	SPANNER
25	PINION GEAR		

RU-SO20150811